

# Water



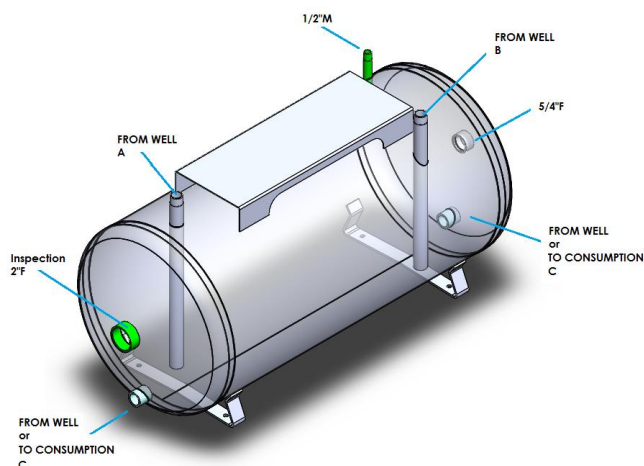
## Hydrophore tank

### Execution :

- Steel tank for water and air
- Horizontal or vertical pressure vessel
- Design Pressure 6 bar – Test Pressure 8.6 bar
- Design Pressure up to 15 bars upon request
- Temperature : -10°C / +50°C
- Conformity with Pressure Equipment Directive 2014-68-EU (PED)
- Hot dip galvanized according EN ISO 1461
- Horizontal execution : with (universal) pump support or made to measure

### HORIZONTAL :

Type	Volume	ø Dia	Length	A	B	C
HH-75-6	75 L	380	830	-	3/4"M	3/4"M
HH-100-6	100 L	380	1030	1"M	3/4"M	1"F
HH-200-6	200 L	500	1180	1"M	1"M	1"F
HH-300/6	300 L	600	1310	5/4"M	1"M	5/4"F



**LORIVAN**

Kachtemsestraat 165 • B-8800 Roeselare • Belgium  
T +32.51.20.23.91 • F +32.51.25.13.47  
www.lorivan.be • info@lorivan.be

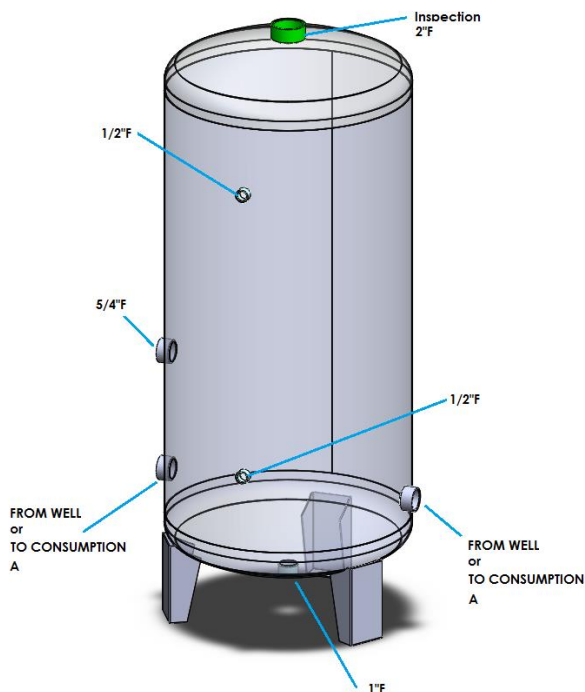
# Water



## Hydrophore tank

VERTICAL :

Type	Volume	ø Dia	Height	A
HV-100-6	100 L	380	1120	1" F
HV-200-6	200 L	500	1250	5/4" F
HV-300-6	300 L	600	1390	5/4" F
HV-500-6	500 L	600	1990	2" F
HV-750-6	750 L	800	1770	2" F
HV-1000-6	1000 L	800	2220	2" F
HV-1500-6	1500 L	1000	2300	3" F
HV-2000-6	2000 L	1100	2500	3" F
HV-3000-6	3000 L	1250	3000	3" F



**LORIVAN**

Kachtemsestraat 165 • B-8800 Roeselare • Belgium  
 T +32.51.20.23.91 • F +32.51.25.13.47  
[www.lorivan.be](http://www.lorivan.be) • [info@lorivan.be](mailto:info@lorivan.be)