

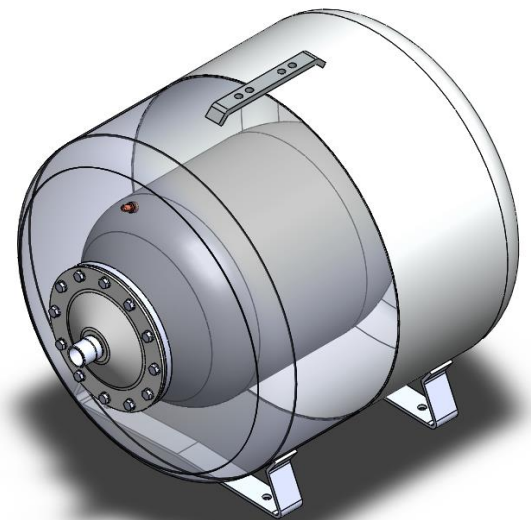
Water



Bladder expansion tank

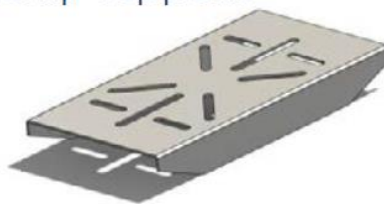
Execution :

- Steel pressure tank 110 litres for water.
- Horizontal execution standard
- Standard pressure 4 bar
- Pre-set pressure with air or N : 1.5 bar
- Conformity with PED2014-68-EU
- Internally and externally Epoxy-coated.
- Food-grade removable bladder

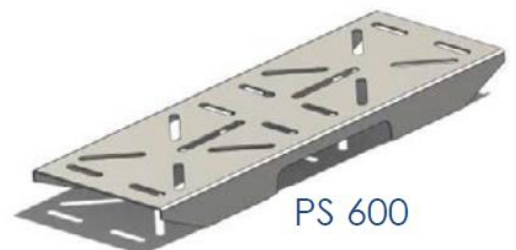


Galvanised pump-supports

PS 400



PS 600



LORIVAN

Kachtemsestraat 165 • B-8800 Roeselare • Belgium
T +32.51.20.23.91 • F +32.51.25.13.47
www.lorivan.be • info@lorivan.be