

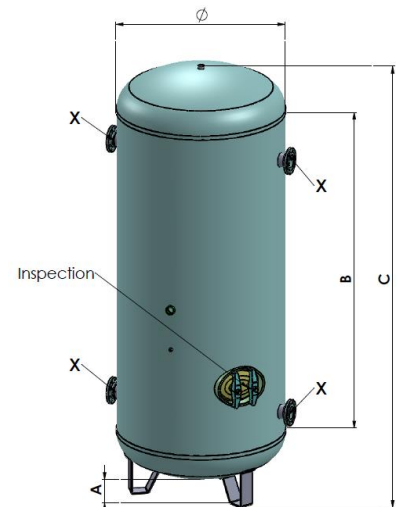


Air-pressure tanks

Standard executions :

- Carbon-steel pressure tanks for air, azote (N), argon (Ar) or CO₂, water.
- Standard executions : Hot dip galvanised
- Conform to the 2014/68-CE

Type	Cap. litres	Working pressure	Min./Max. temp.	ø Dia	A	B	C	X	Inspection
PV-50/10	50	10	-10°C/+50°C	380	85	500	730	3 x 1/2"	2 x 1"
PH-50/10	50	10	-10°C/+50°C	380	85	500	500	3 x 1/2"	2 x 1"
PV-100/10	100	10	-10°C/+50°C	380	85	730	1120	3 x 1"	1 x 2"
PH-100/10	100	10	-10°C/+50°C	380	85	730	500	3 x 1"	1 x 2"
PV-200/10	200	10	-10°C/+50°C	480	85	1000	1460	3 x 1"	2 x 2"
PV-270/11	270	11	-10°C/+50°C	500	200	1150	1680	2 x 2"	2 x 2"
PV-500-11	500	11	-10°C/+65°C	650	150	1200	1800	2 x 2"	2 x 2"
PV-500-16	500	16	-10°C/+65°C	650	150	1200	1800	2 x 2"	2 x 2"
PV-900-11	900	11	-10°C/+65°C	800	150	1450	2100	2 x 2"	2 x 2"
PV-1500-11	1500	11	-15°C/+65°C	1000	150	1500	2300	4 x 2"	HH-80/115
PV-2000-11	2000	11	-15°C/+65°C	1000	150	2000	2800	4 x 2"	HH-80/115
PV-2000-11-F	2000	11	-15°C/+65°C	1000	150	2000	2800	4 x DN80	HH-80/115
PV-3000-11	3000	11	-15°C/+65°C	1200	150	2100	3100	4 x DN80	MH-300x400
PV-4000-11	4000	11	-15°C/+65°C	1200	150	3000	3900	4 x DN80	MH-300x400
PV-5000-11	5000	11	-15°C/+65°C	1400	140	2750	3750	4 x DN100	MH-300x400



Air



Miscellaneous



LORIVAN

Kachtensestraat 165 • B-8800 Roeselare • Belgium
T +32.51.20.23.91 • F +32.51.25.13.47
www.lorivan.be • info@lorivan.be